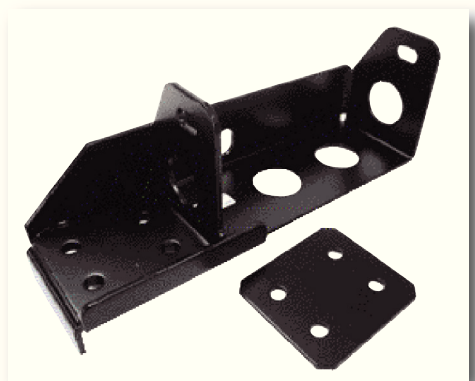


**DRCS100  
COMPACT SPEAKER**

- One of our most innovative 100-watt speaker
- Ideal for mounting on the front bumper or behind the grille of any full size vehicle where space allows
- Compact design allowing for optimum flexibility in mounting
- Custom mounting solutions are available for most popular vehicles
- Cast aluminum construction allows speaker to operate at cooler temperatures and run more efficiently than conventional speakers
- Mounting brackets available for most makes and models of vehicles



**MOUNTING BRACKETS**



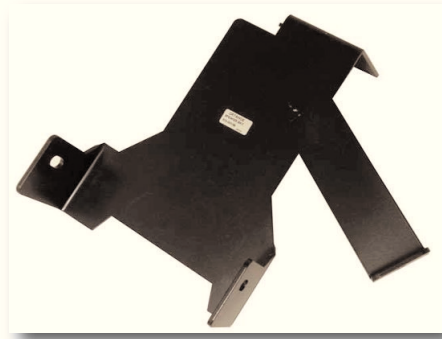
**935-0063A  
BRACKET FOR USE IN  
2013-2015 INTERCEPTOR SEDAN**



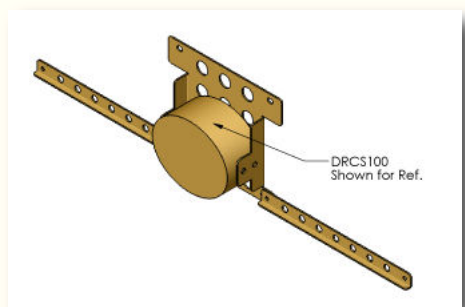
**935-0062A  
BRACKET FOR USE IN  
2013-2015 INTERCEPTOR UTILITY**



**DRCHRGR-06  
BRACKET FOR USE IN  
2006-2013 DODGE CHARGER**



**DRTAHOE  
BRACKET FOR USE IN  
2003-2014 CHEVY TAHOE**



**935-0071A  
BRACKET FOR USE IN  
2015 CHEVY TAHOE**

**APPROVALS**

- Meets SAE J1849
- Meets CAC Title 13
- Meets Class A

**FEATURES**

- Compact design
- Easy to install
- Slim shape

**TECHNICAL SPECS**

- Dimensions:  
Height - 5.375"  
Width - 6.5"  
Depth - 3.0"
- Power - 100 Watt
- Input Voltage: 32 Vrms
- Impedance: 11 ohms
- Ship Weight: 5 lbs