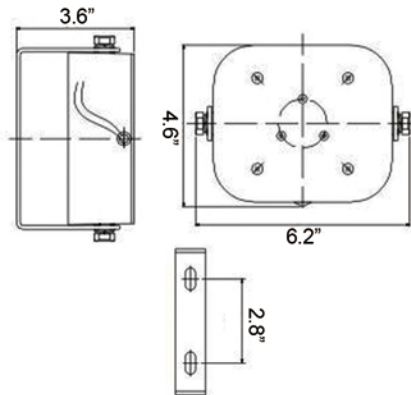


Speaker



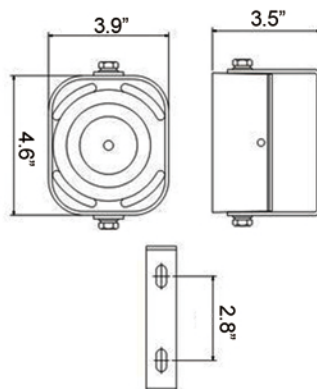
S100-3A



Power 100W
 Impedance 8 Ohms
 Frequency Range 400-4000HZ
 Sound Distortion Factor ≤5%
 Sound Pressure 120-130dB



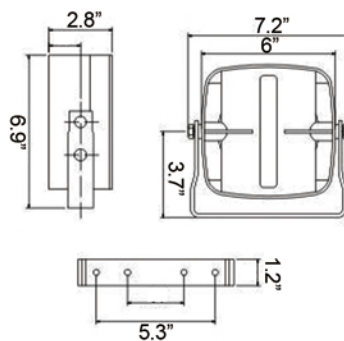
S80-3



Power 80W
 Impedance 8 Ohms
 Frequency Range 300-5000HZ
 Sound Distortion Factor ≤5%
 Sound Pressure 115-122dB



S100-3



Power 100W
 Impedance 8 Ohms
 Frequency Range 400-4000HZ
 Sound Distortion Factor ≤5%
 Sound Pressure 120-130dB