

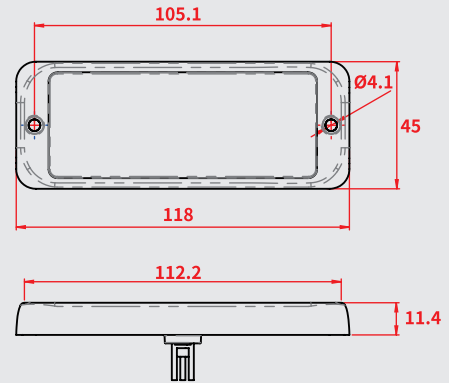
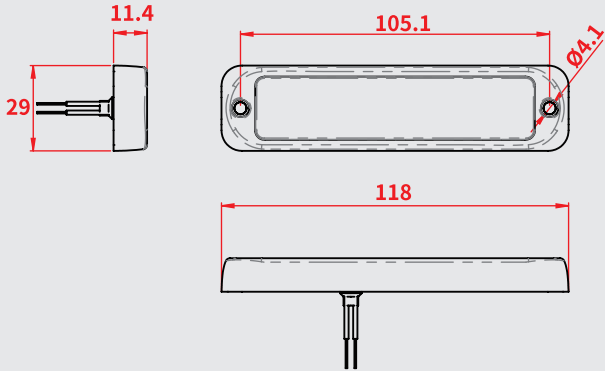


## 9672

R65 Class I VDC 12/24 LED 9/18 IP67

## 9672DR

R65 Class I VDC 12/24 LED 18/24 IP67



### Features

- 9 and 18 LED for 9672  
12 and 24 LED for 9672DR
- Built-In Slave Mode
- ECE R65 Vertical Approval in Class 1
- Low Profile And High Output
- Sync With Other Directional Modules



### Specification

	9672	9672DR
Voltage	12/24V	12/24V
Flash Patterns	14/40	50
Waterproof	IP67	IP67
Colors		
LEDs	9/18(Dual Color)	18/24(Dual Color)
Approval	ECE R65 CLASS I	ECE R65 CLASS I
Complie	SAE Class I	SAE Class I
Size(B x H)	118x29x11.4(mm)	118x50x11.4(mm)